

# Intelligent Charging Tray/Carrying Case

## Quick Start Guide

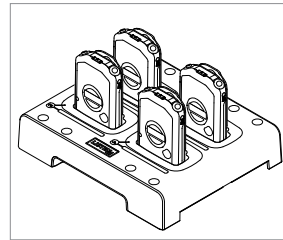


### Setup & Dispensing

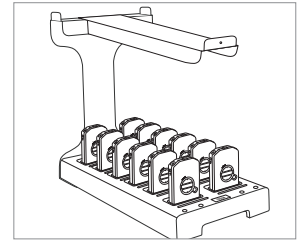
This quick reference card is intended to provide setup and dispensing instructions for:

- LA-384 Intelligent 4-Unit Charging Tray
- LA-381 Intelligent 12-Unit Charging Tray
- LA-380 Intelligent 12-Unit Charging/Carrying Case

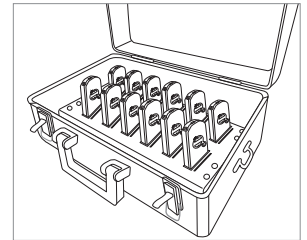
For additional assistance, please refer to the User Manual.



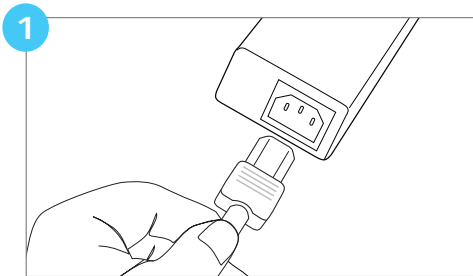
LA-384 Charging Tray



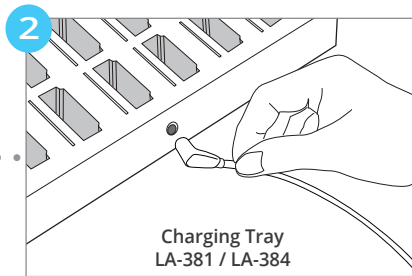
LA-381 Charging Tray



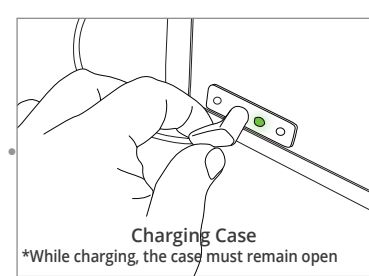
LA-380 Charging/Carrying Case



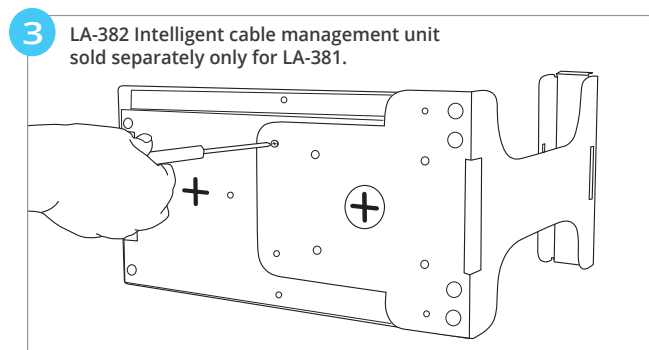
1 Connect the power cord to the charging unit and connect to power source



2 Connect the power supply  
Charging status is indicated by a flashing LED (See check-in step 5)

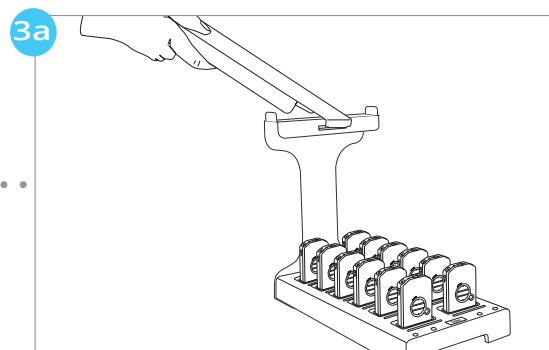


Charging Case  
\*While charging, the case must remain open

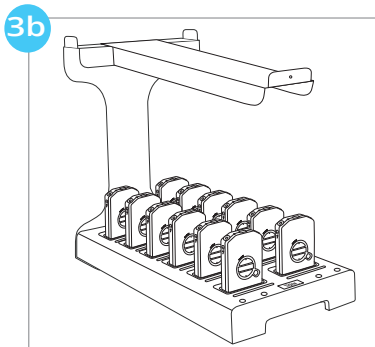


3 LA-382 Intelligent cable management unit sold separately only for LA-381.

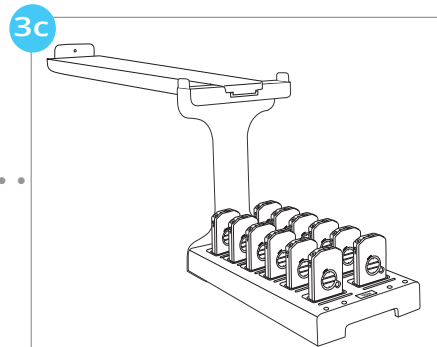
Attach cable management base to charging tray



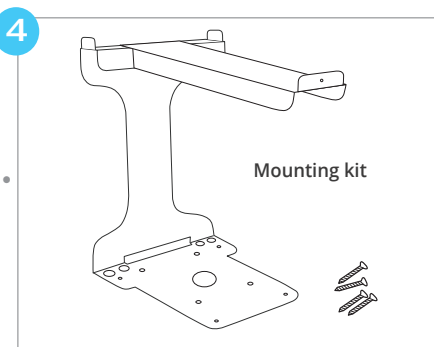
3a Attach cable management arm



3b Arm facing inward



3c OR Arm facing outward

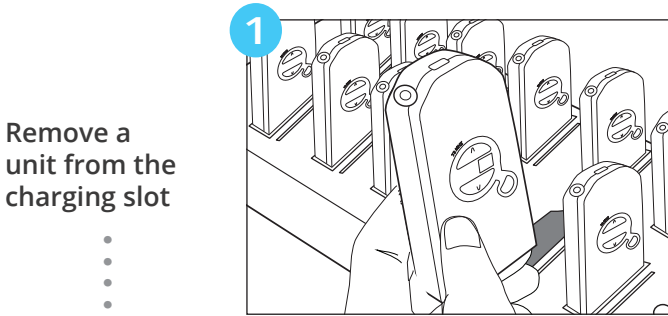


4 Mounting kit

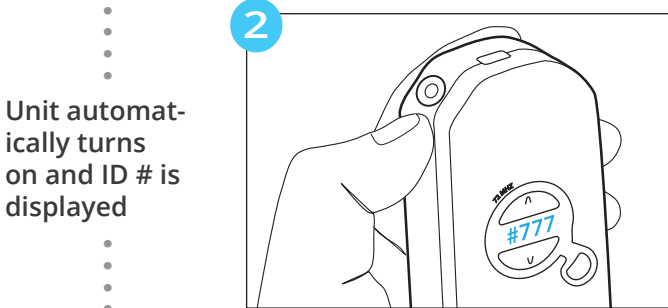
Arm can optionally be mounted to a flat surface such as a counter top or table

# Dispensing Instructions

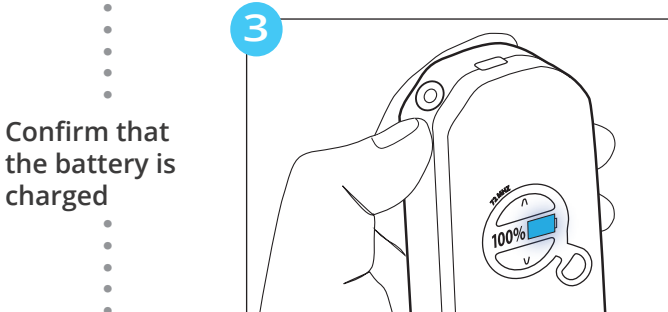
## Check-out Units



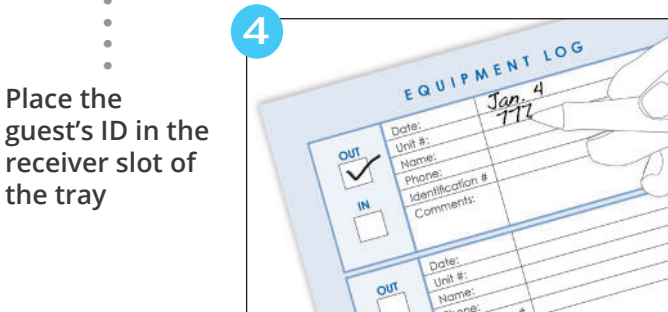
Remove a unit from the charging slot



Unit automatically turns on and ID # is displayed



Confirm that the battery is charged

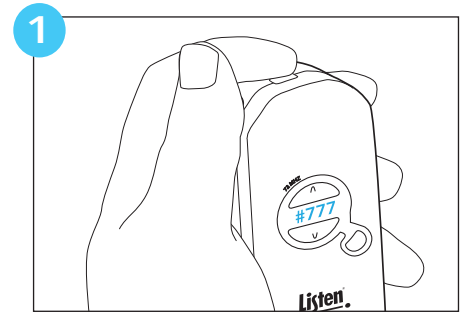


Place the guest's ID in the receiver slot of the tray

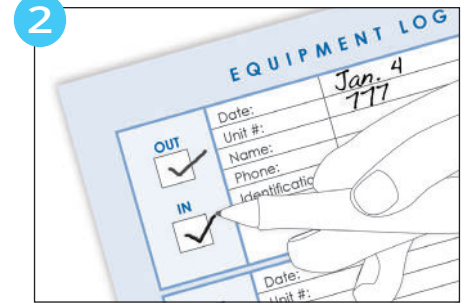
Software can also be used to manage inventory  
\*Download software at [www.listen.tech.com/support/software](http://www.listen.tech.com/support/software)

For further details regarding use or programming of your Listen Technologies products visit our website at [www.listen.tech.com/support/manuals/](http://www.listen.tech.com/support/manuals/) or contact Listen Technologies at +1.801.233.8992 or 1.800.330.0891

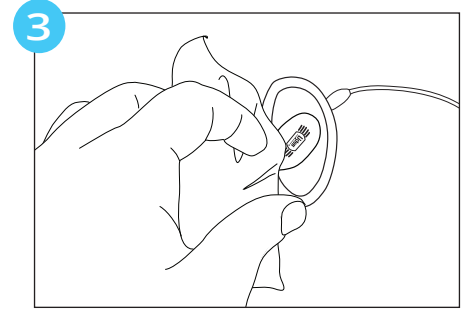
## Check-in Units



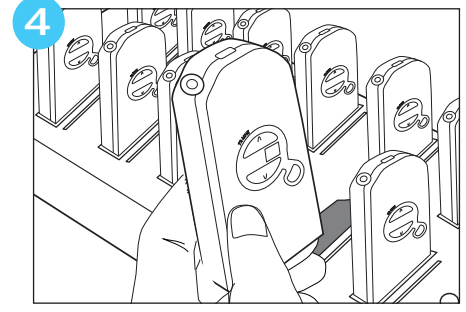
Momentarily press POWER to display the unit ID number



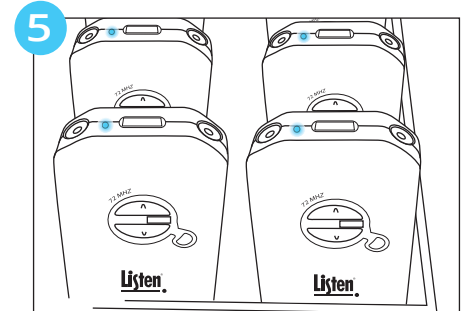
Check-in the unit using the log book, software\*, or return the guest's ID



Use disinfecting wipes to clean the earphone and unit



Place the unit in a charging slot



Unit turns off automatically and begins charging

LED status: flashing- charging, solid- fully charged